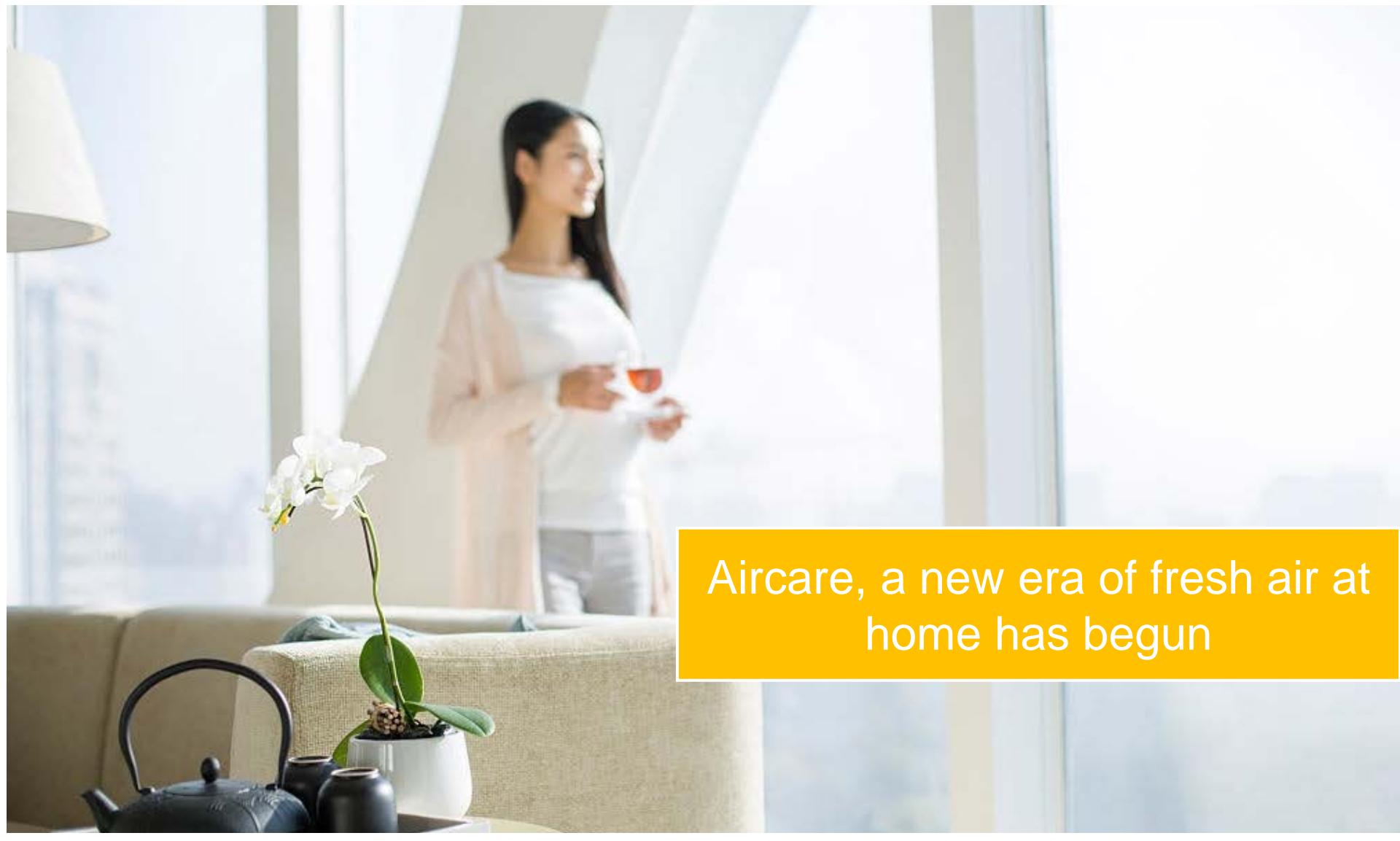


THE SAN



Aircare, a new era of fresh air at home has begun



STATE OF THE ART:

«**Sealed**» houses for energy saving needs

EFFECT:

Moulds, moisture, **sick** building syndrome & **poor** indoor air quality causing asthma, allergies and cancer



Natural ventilation or zero ventilation are not the right choice



Windows OPEN

- Cold air in winter
- Hot air in summer
- Air flow and draught
- Noise from outside
- Burglar attempt risk
- No air filtration

- Sealed building
- No air exchange
- Sick building Syndrome
- Moulds
- Stinky smell
- Internal pollution

Windows CLOSED





RIGHT SOLUTION:

Controlled Mechanical Ventilation with Heat Recovery to guarantee the correct air exchange and filtration without energy waste



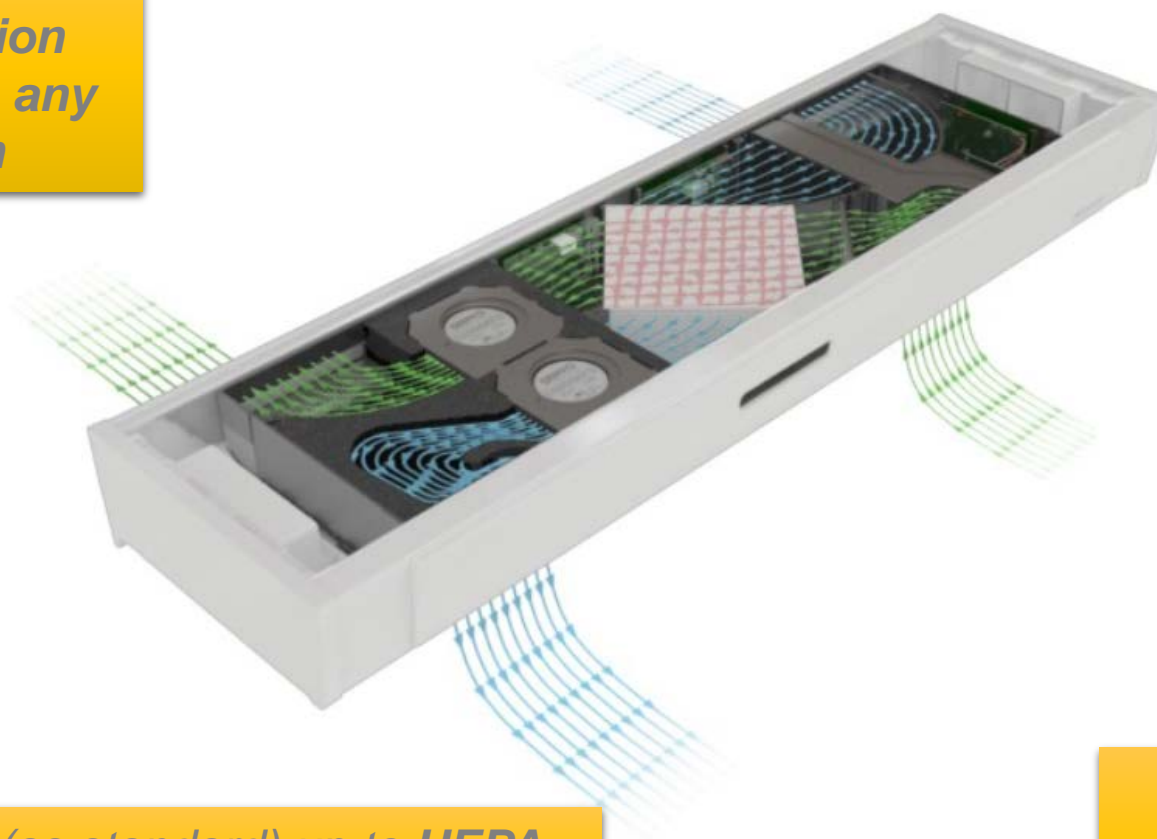
THESAN AIRCARE

As easy as opening a window
but **much more efficient**

AIRCARE ES

*Controlled ventilation and air filtration
with **heat recovery***

SOLVING
ventilation
issues in any
room



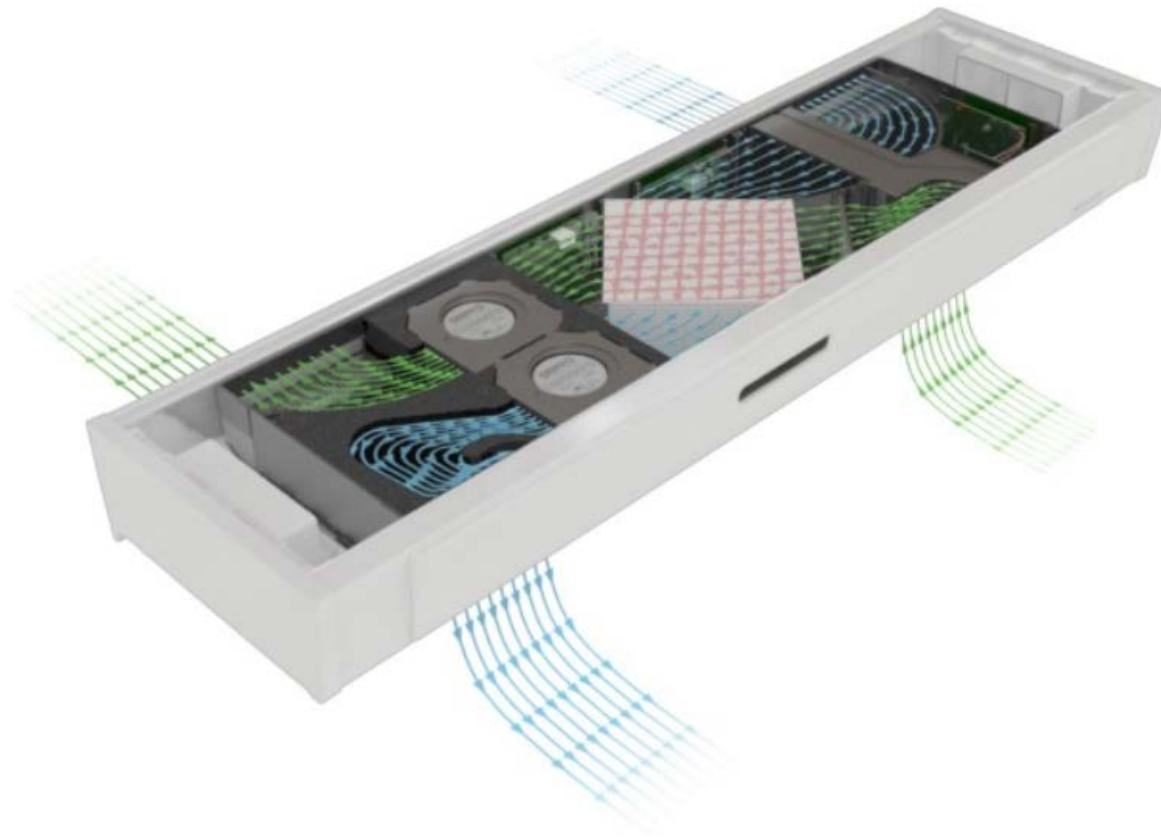
OPERATING
Down to -15°
External
temperature

From **F9** (as standard) up to **HEPA**
FILTERS and possibility of **NOX** filters integration

Actual 82%
Thermal
Efficiency
A CLASS

AIRCARE ES

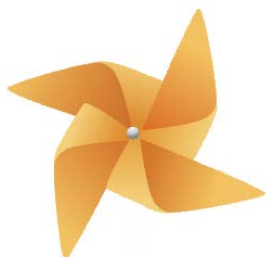
AUTOMATIC RUNNING MODE



*Always **DETECTING** internal humidity*

*Automatically **RAISING** the ventilation speed up to speed 4 in case of high internal humidity levels*

*Automatically **RETURNING** to speed 2 when humidity decreases*



EXCHANGING

The air present in the spaces where we live (from 15 to 41 m³/hour – 5 speeds)

Mould and dampness
CO₂
Dust mites
Radon
Formaldehyde
VOC



FILTERING

The air that enters our home from outside

Pollen
Bacteria
PM₁₀ and PM_{2,5}
Pollutants
Noise



SAVING

energy and money thanks to HR efficiency and easy installation and maintenance

NO energy waste
NO piping and drainage works
LOW maintenance



WHAT IS AIRCARE

Aircare is the new solution for controlled mechanical ventilation with heat recovery (actual thermal efficiency 82%)

A
CLASS

HOW AIRCARE WORKS

Aircare grants correct air exchange, great sound and thermal insulation. The multilyer filter (from F9 up to HEPA) ensures high filtration performances.

L_{PA} 19 dB
0,3 W/m²K
HEPA

HOW AIRCARE IS MADE

Characterised by the typical **Pininfarina** Design, Aircare is almost invisible from outside and from inside looking functional and technological, and suitable for all purposes.

Aesthetic appeal
100%



Aircare performances



Sound
pressure

L_{PA} **19 dB** at 3 m open field – speed 1

Sound Power L_{WA} 37 dB



Acoustic
insulation

D_{new} = **53 dB** with shutters opened



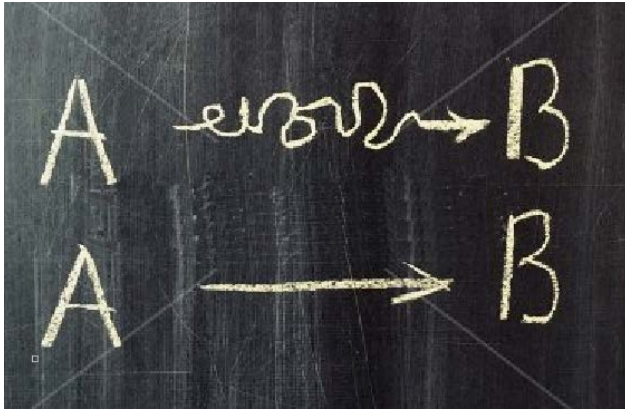
Thermal
transmittance

Max **0,3** W/m²K



Hygrometric
comfort

No condensate drainage needed
thanks to the enthalpy system



REASONS WHY A MVHR SINGLE ROOM SYSTEM GIVES YOU MANY ADVANTAGES

- **High** performances thanks to short ducts
- **Easy** maintenance
- **Local** demand control (**lower** energy cost)
- **Quick** and **easy** filter **cleaning** made by the end user
- The **best solution** available in case of refurbishment and extensions
- **Installation** in **any** kind of situation
- **No** ducts to **clean**
- **No** risk of **bacteria** due to bad cleaning/sanitation
- **Low** installation **costs**
- **No loss** of house **volume**
- **No** need of false ceiling to hide ducts and pipes



above window frame

recessed into the wall

wall mounted

DIFFERENT APPLICATIONS TO SATISFY ALL INSTALLATION REQUIREMENTS



Aircare FOR window

- Elegant and not invasive appearance
- It can be installed in any situation
- Colour customisation

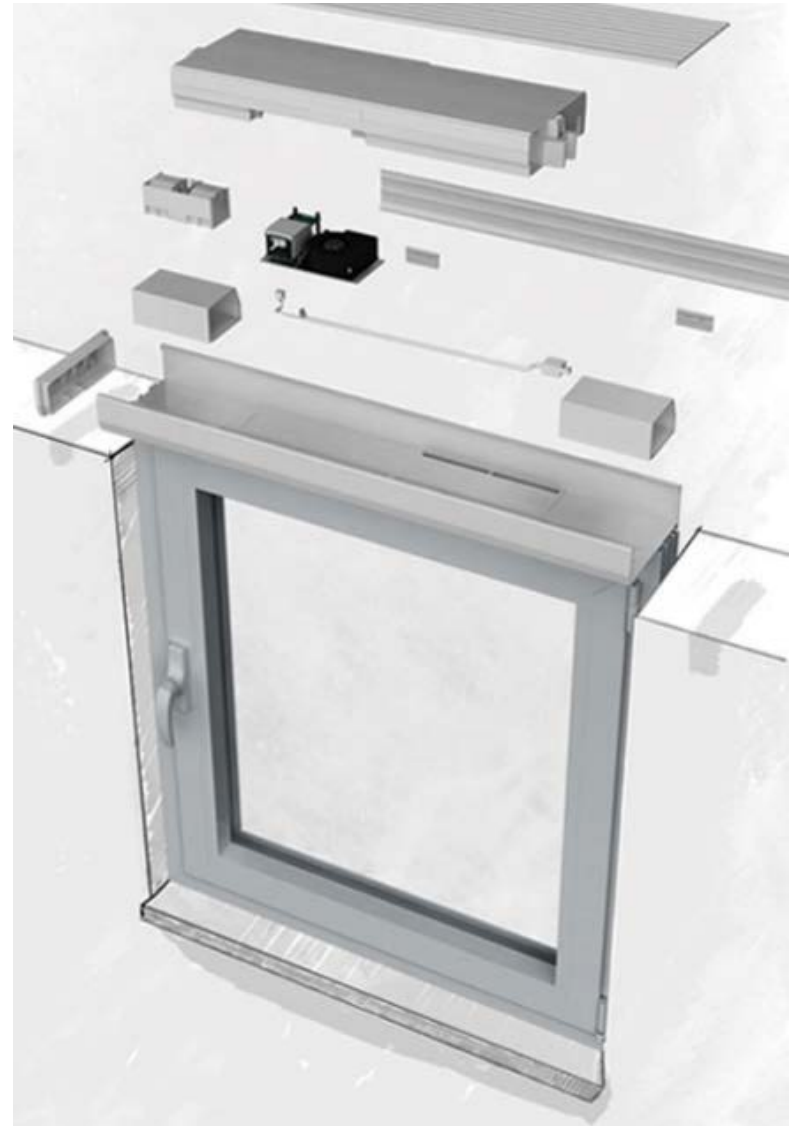
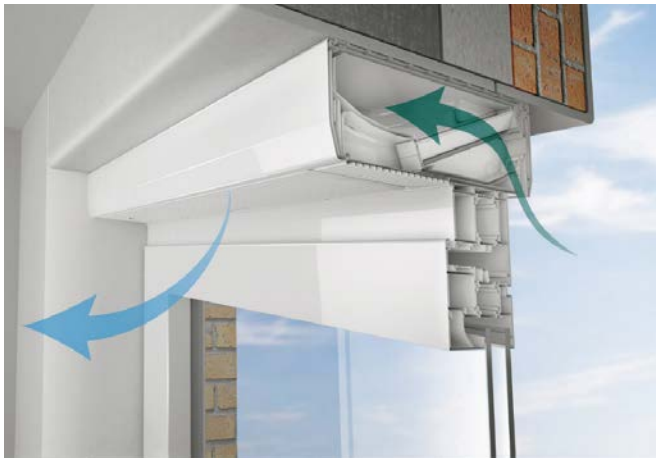




Aircare
FOR
window



HOW TO: install Aircare



Aircare
FOR
wall

- Elegant and not invasive appearance
- Colour customisation

INSIDE

Horizontal UP



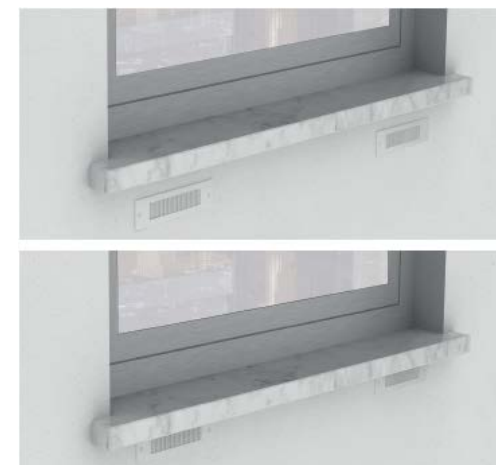
Vertical



Horizontal DOWN



OUTSIDE

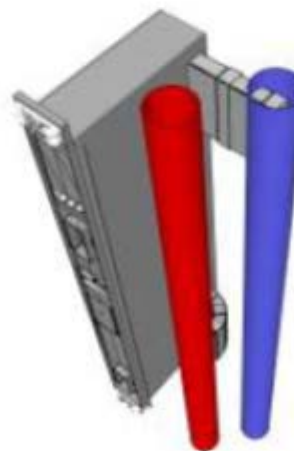
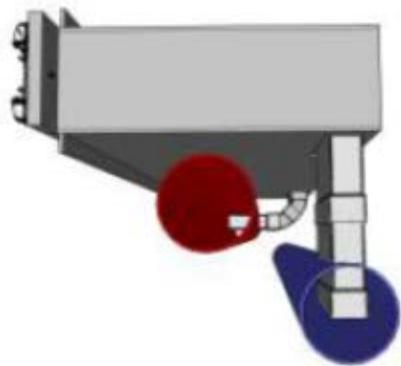
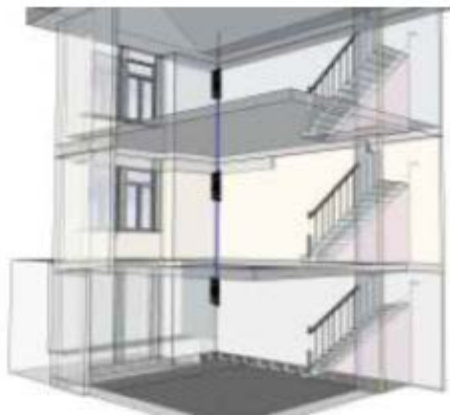




HOW TO: install Aircare for wall

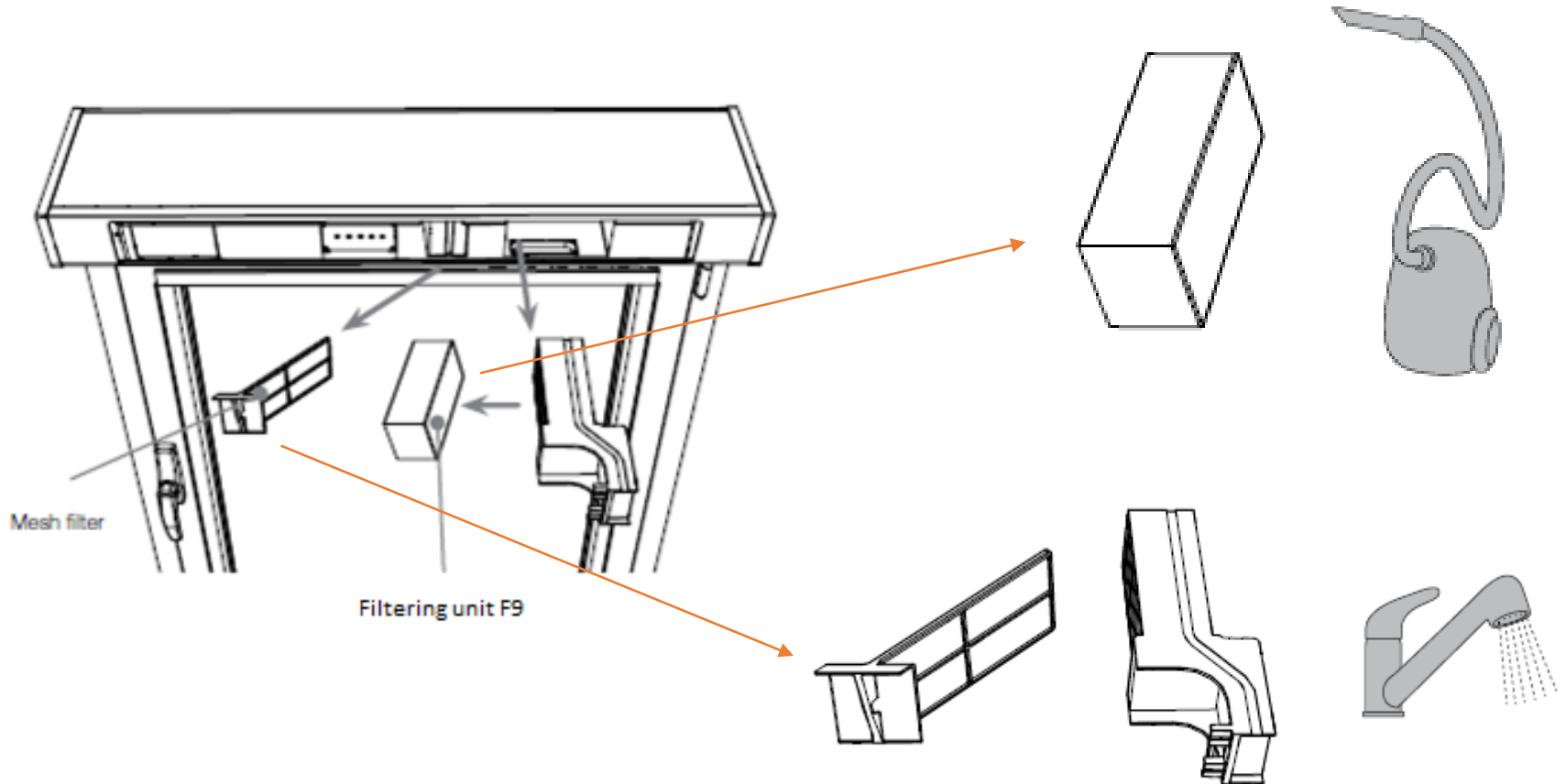


 **HOW TO:** install Aircare connected to ventilation main pipes





HOW TO: check and clean filters





HOW TO: control Aircare – The Remote control

REMOTE CONTROL



To manage Aircare operating speeds, a simple and practical remote control is provided with the machine

- On/Off
- Speed increase/decrease
- Automatic mode
- ByPass activate/deactivate



HOW TO: control Aircare – The Mobile APP

Details of a single Aircare

Message

Data from sensors

Mode

Fan speed control



Configured Aircare Mask



Weekly configuration Mask



Daily configuration Mask





A new era of fresh air quality in our living environments begins today, bringing with it new quality in wellbeing and health.



This is Aircare. As simple as opening a window but a lot more effective



THESAN S.p.A.

Energy Efficiency Solutions

Via Torino 25

10050 Chiusa San Michele - Torino - Italy

www.thesan.com

UK AGENCY



High-end bespoke Solutions for Fit-out, Indoor Air Quality & Energy Saving

SAFBUILD LTD

Unit 58, Pinnacle Tower

11 Saffron Central Square

Croydon Surrey CR0 2GE, UK

T +44(0)20 37122651 – M +44(0) 7500770589

www.safbuild.com

sales@safbuild.com

thesan-uk@thesan.com